



Plastic Bin

1100L with Din Points

The EN840 approved Taylor Plastic 4 Wheeled Bin is a cost-effective solution to waste management & collections. The 1100 litre bin, the most popular size, is suitable for an extensive range of waste applications including; Paper, Cardboard, Plastic & DMR (Dry Mixed Recycling).



Part of

Egbert Taylor

Plastic Bin 1100L with Din

The Taylor 1100 Plastic Bin is designed with affordability in mind and is ideal for collecting recyclable materials and residual wastes.

These bins are versatile and are used around the world for waste and refuse collection. The Taylor Plastic Bin is made from frost-proof, UV stabilised HDPE and the tough construction is EN840 approved.

It is also available with a Foot Operated Lid as well as a variety of colours and other options.



Features

Featured as standard:

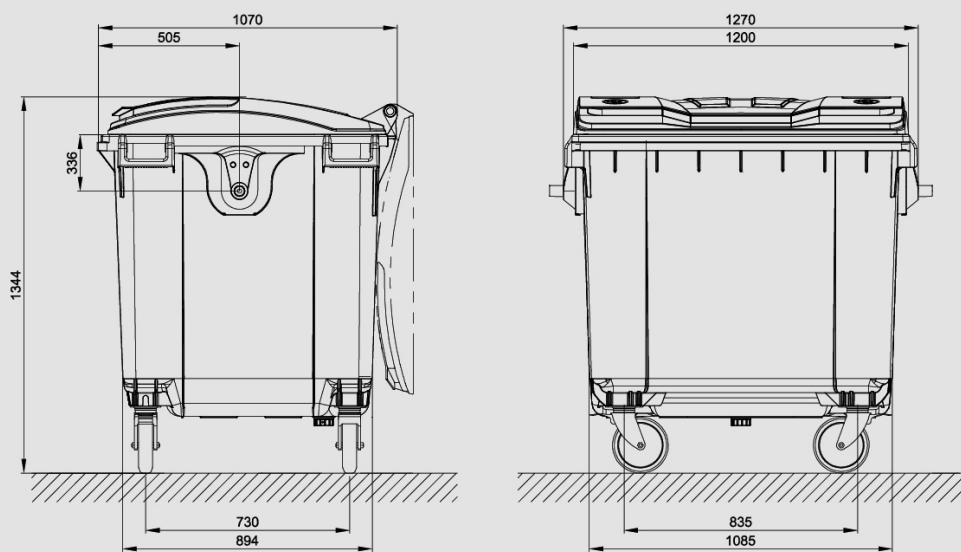
- EN840 Compliant
- Reinforced Comb Bar (Honey Comb Structure)
- HDPE, UV Stabilized material
- 200mm Plastic centred castors with rubber wheels
- Large print area on body and lid for customer logos
- Additional Reinforcement on all walls
- Lid with lip handle
- Drain Plug

Options

- Recycling Lid Inserts for PET, Paper, Packaging and Glass
- Foot-operated lid opening
- Lid Locking system
- Hot stamping (embossing)
- Various body colours available
- No DIN points

Technical Details

Height:	1344mm	Capacity:	1100 litres
Width:	1270mm	Empty Weight:	50kg
Depth:	1070mm	Castors:	200mm



Plastic Bin 1100L D Datasheet / UK EN

Talk to us

+44 (0)1299 251 333

Email us

info@egberttaylor.com

Visit us online

www.egberttaylor.com

Egbert H. Taylor & Co Ltd, Oak Park, Ryelands Lane, Elmley Lovett, Droitwich, Worcestershire, WR9 0QZ, UK

Egbert H. Taylor & Co Ltd is a limited company registered in England and Wales. No. 00718441. Registered Office as above.