



# Plastic Bin

## 770L with Din Points

The EN840 approved Taylor Plastic 4 Wheeled Bin is a cost-effective solution to waste management & collections. The 770 litre offers the perfect medium sized solution for your waste containment needs in compact footprint.



Part of

**Egbert Taylor**

# Plastic Bin 770L with Din

The Taylor 770 Plastic Bin is designed with affordability in mind and is ideal for collecting recyclable materials and residual wastes.

These bins are versatile and are used around the world for waste and refuse collection. The Taylor Plastic Bin is made from frost-proof, UV stabilised HDPE and the tough construction is EN840 approved.

It is also available with a Foot Operated Lid as well as a variety of colours and other options.



## Features

Featured as standard:

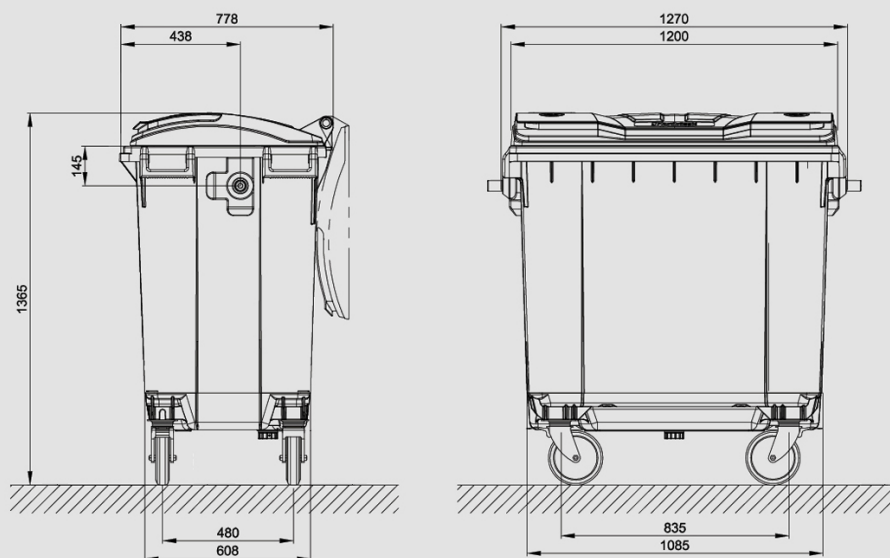
- EN840 Compliant
- Reinforced Comb Bar (Honey Comb Structure)
- HDPE, UV Stabilized material
- 200mm Plastic centred castors with rubber wheels
- Smooth, easy to clean internal surfaces
- Large print area on body and lid for customer logos
- Additional Reinforcement on all walls
- Lid with lip handle
- Drain plug

## Options

- Recycling Lid Inserts for PET, Paper, Packaging and Glass
- Foot-operated lid opening
- Lid Locking system
- Hot stamping (embossing)
- Various body colours available
- No DIN point

## Technical Details

<b>Height:</b>	<b>1365mm</b>	<b>Capacity:</b>	<b>770 litres</b>
<b>Width:</b>	<b>1270mm</b>	<b>Empty Weight:</b>	<b>43kg</b>
<b>Depth:</b>	<b>778mm</b>	<b>Castors:</b>	<b>200mm</b>



Plastic Bin 770L D Datasheet / UK EN

### Talk to us

+44 (0)1299 251 333

### Email us

info@egberttaylor.com

### Visit us online

www.egberttaylor.com

**Egbert H. Taylor & Co Ltd**, Oak Park, Ryelands Lane, Elmley Lovett, Droitwich, Worcestershire, WR9 0QZ, UK

Egbert H. Taylor & Co Ltd is a limited company registered in England and Wales. No. 00718441. Registered Office as above.