



T-Lock

Safe, Secure, Robust & Efficient.

Our latest lock innovation has been developed in conjunction with customers & lock specialists, to ensure that our lock meets customer expectations and remains secure, even under extreme conditions.



Part of

Egbert Taylor

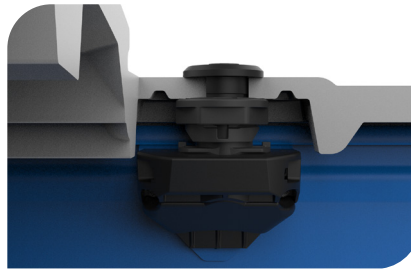
T-Lock

With a simple turn of the key, the lid is unlocked and the bin is ready for emptying. Once emptied, easily press the lid down and it is locked. Simple and efficient.

The T-lock can assist with improving segregation, preventing contamination and ensuring only authorized personnel are able to unlock the lid, thus tackling 3 issues in the waste sector in one simple lock.

Ensuring the T-lock remains fully functional in a range of environments and conditions was an essential part of the development process.

To improve efficiency, this lock has been specially developed to keep the lid elevated when unlocked, so bin crews and waste operators can clearly see that the bin is open.



Other design aspects include; low maintenance, simple to operate, efficient operation and robust. All of these have been achieved through a rigorous testing schedule that has ensured the successful development of the T-Lock.

Combined with the latest fill-level technology Taylor can provide solutions to significantly improve the operational and management effectiveness of your bin fleets.

Features

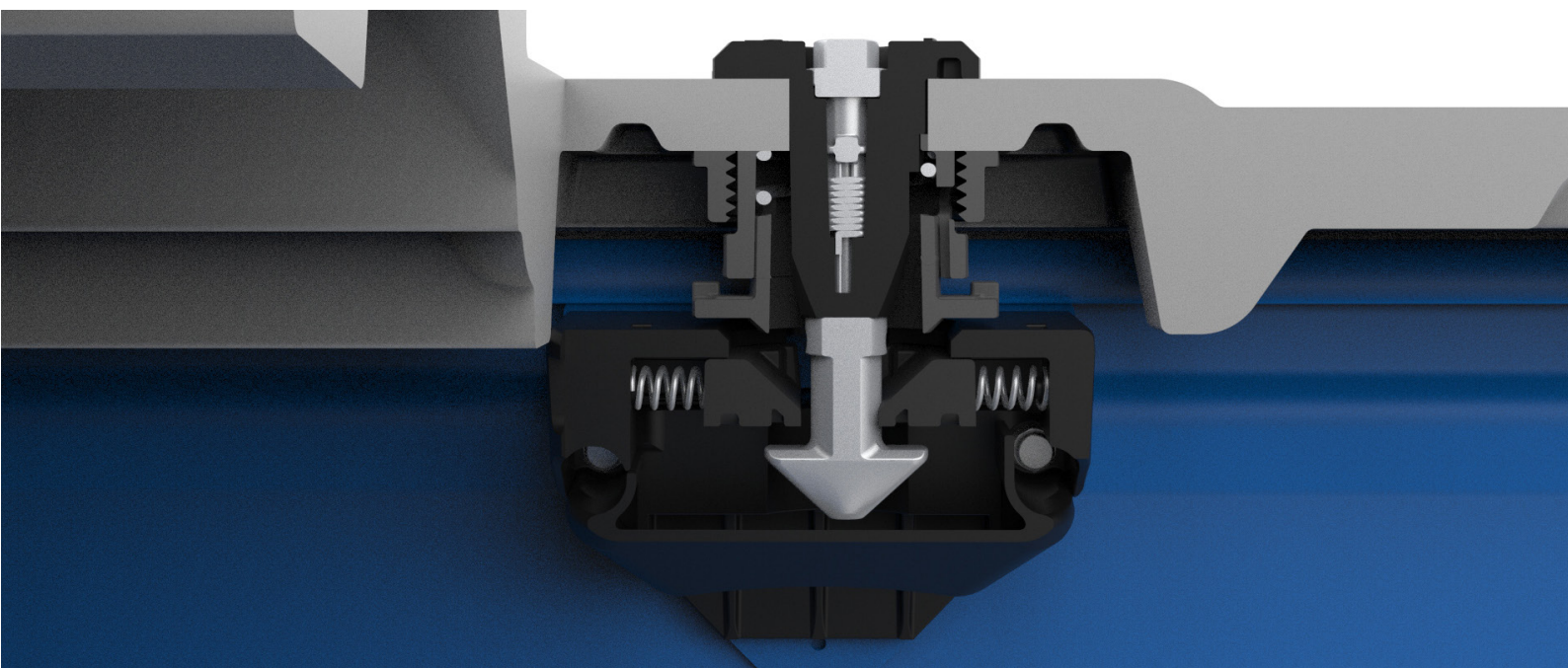
- Sturdy & Robust Design
- Can be retro fitted
- Compatible with all Taylor Bins & Lids
- Efficient operation
- Low maintenance
- Easy installation

Benefits

- Push to lock system
- Reduces chances of contamination
- Unique key interface design
- Higher security against rough sleepers

Options

- Custom lock Spindle for custom key



Talk to us

+44 (0)1299 251 333

Email us

info@egberttaylor.com

Visit us online

www.egberttaylor.com

Egbert H. Taylor & Co Ltd, Oak Park, Ryelands Lane, Elmley Lovett, Droitwich, Worcestershire, WR9 0QZ, UK

Egbert H. Taylor & Co Ltd is a limited company registered in England and Wales. No. 00718441. Registered Office as above.