



Taylor Node^o

800L - 3200L

The Taylor Node^o system offers a proven way to increase waste disposal and on street recycling. Its distinctive appearance and innovative design presents a radical alternative to the conventional look of the standard waste recycling bin.



Part of

Egbert Taylor

Taylor Node° 800L - 3200L

The node° system offers a proven way to increase waste and on street recycling participation in locations such as high and low rise flats, where more traditional collection methods such as kerbside collection simply isn't practical.

Part of our Urban Solutions range, the node°'s modular system means that one to four 800-litre units (node 90°, node 180°, node 270° and node 360°) can be configured to give a maximum 3,200 litres of capacity. In a footprint of less than a car parking space!



This makes the node° ideally suited for high density housing recycling and town centre recycling on the go. Independent research confirms that the system encourages on street collection and improves hi-rise property recycling participation among the public.

Features

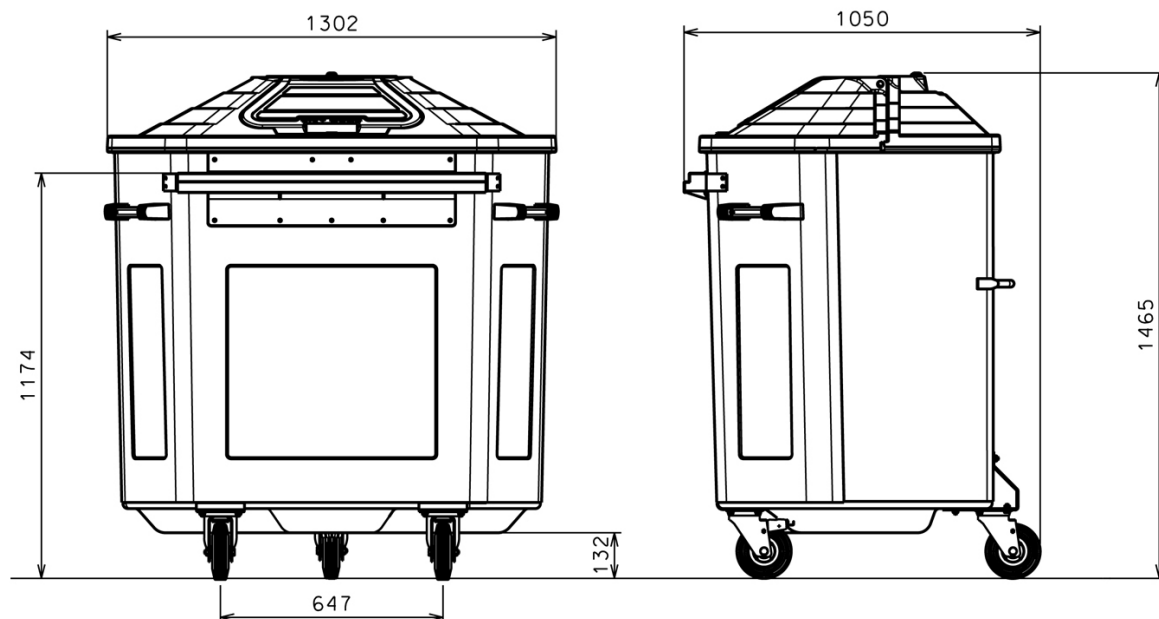
- Galvanised steel locking post with rotary moulded top
- Steel centred castors
- Double skinned UV resistant roto-moulded lid
- Comb lifting bar
- EN 840 Compliant

Options

- Custom embossing
- Central locking castors
- Tag safe
- Drain plug options
- Powder coated body colour options
- Lid colour & aperture options
- Locking options
- Security solutions
- Bespoke vinyl graphics
- Steel base plate

Technical Details

Height:	1465mm	Capacity:	800 Litres (per segment)
Width:	1302mm	Empty Weight:	107kg
Depth:	1050mm	Castors:	160mm



Taylor Node Datasheet / UK EN

Talk to us

+44 (0)1299 251 333

Email us

info@egberttaylor.com

Visit us online

www.egberttaylor.com

Egbert H. Taylor & Co Ltd, Oak Park, Ryelands Lane, Elmley Lovett, Droitwich, Worcestershire, WR9 0QZ, UK

Egbert H. Taylor & Co Ltd is a limited company registered in England and Wales. No. 00718441. Registered Office as above.