

Continental™

500L



The Continental™ 500 litre, which is the smallest in the range, is ideal for both your indoor and outdoor waste storage needs with the ability to fit through a standard sized doorway due to its small footprint and compact design.



Part of

Egbert Taylor

Continental™ 500L

The Continental™ 500 litre is built with quality in mind and is ideal for collecting heavy waste whilst maintaining safety.

It offers over 10 years proven performance making it cheaper compared to its plastic alternatives over the containers lifetime.

The 500 is ideal for dense waste, such as commercial food and glass.

It is also available with Fork Lift Pockets or a Foot Operated Lid as well as a wide range of colours and other options.



Features

Featured as standard on all Continental™ 500's:

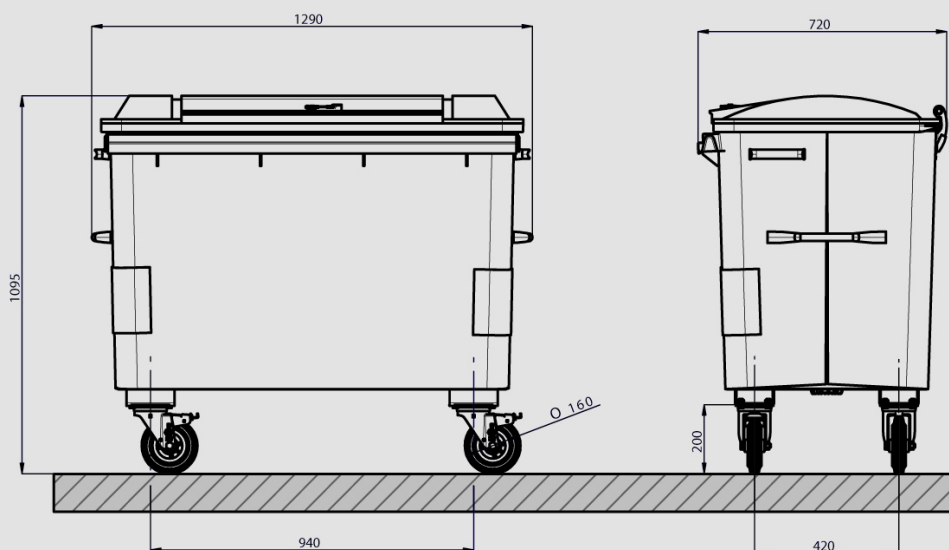
- EN840 compliant
- Internally seam welded
- Hot dip galvanised body
- Welded comb bar
- Side handles
- 20mm top frame
- 2 x swivel castors & 2 x braked castors
- Roto moulded lid

Options

- Heavy duty version
- DIN points
- Custom embossing
- External fork pockets
- 200mm or 160mm castors
- Tag safe
- Towing capabilities
- Drain plug options
- Different handle options
- Different lid types & apertures
- Variety of lid colours
- Powder coated body colour options
- Locking options
- Security solutions
- Sound deadening
- Bespoke vinyl graphics
- Hands free foot operation

Technical Details

Height:	1095mm	Capacity:	500 litres
Width:	1290mm	Empty Weight:	78kg
Depth:	720mm	Castors:	160mm



Continental™ 500L Datasheet / UK EN

Talk to us

+44 (0)1299 251 333

Email us

info@egberttaylor.com

Visit us online

www.egberttaylor.com

Egbert H. Taylor & Co Ltd, Oak Park, Ryelands Lane, Elmley Lovett, Droitwich, Worcestershire, WR9 0QZ, UK

Egbert H. Taylor & Co Ltd is a limited company registered in England and Wales. No. 00718441. Registered Office as above.