

MGB Plastics

180L Wheelie Bin

Part of MGB's wheeled bin package. All fully manufactured & tested in the UK to the strictest standards.



Part of

Egbert Taylor
Middle East

MGB Plastics 180L

The MGB 180 litre wheeled bin is the highest-selling 180 litre wheeled bin in the UK. The MGB 180 litre wheeled bin is modern, robust and fully customisable, and fully manufactured in the UK on our state-of-the-art equipment. It can be fully customised to the customers colour and marking requirements. MGB represents exceptional customer service, along with class leading value for money.



Features

- Strengthened front comb to ensure exact locking on lifting equipment
- Solid rubber tyres with steelspring loaded locking pins
- Rounded corners and smooth, easy to clean internal surfaces
- EN840 approved
- Large print area on body and lid for customer logo and/or information
- Corrosion resistant axle
- Compatible with standard lifting equipment

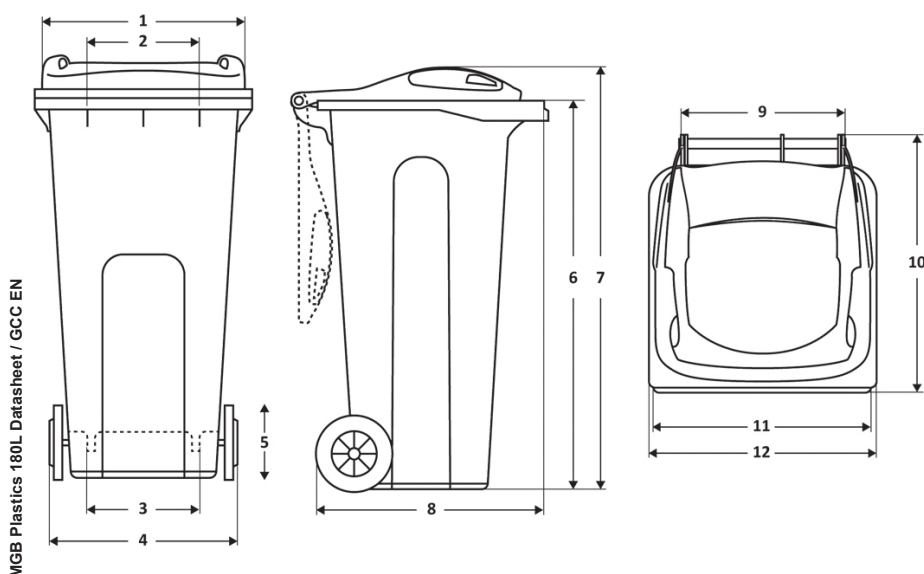
Options

- Colour (to client specification)
- Embossed logos
- RFID tagging
- Labelling & recycling information
- Lids are adaptable for promotions
- Tactile bins compliant with the RNIB
- Venting

Also available as 120L, 140L and 240L

Technical Details

Height:	1056mm	Capacity:	180 Litres
Width:	543mm	Empty Weight:	7.5kg
Depth:	646mm	Wheel Diameter:	200mm



Position	Dimension (mm)
1	493
2	292
3	310
4	538
5	200
6	977
7	1065
8	572
9	418
10	646
11	545
12	545

Talk to us
+44 (0)4 3791711

Email us
info@egberttaylor.ae

Visit us online
www.egberttaylor.ae