

# Continental™ 1100 Litre Drop Front Technical information



## Product Image & Key Features

- Double skinned UV resistant rotary-moulded lid with optional lid lock



Robust steel hinge bar secured by split-pin

Handles designed to EN 840 for ergonomic handling and Safety keeping hands away from lifting gear

Large area for vinyl graphics

Fully internally welded seams

Steel centred castors manufactured to Taylor's specification  
\*Shown with Towing castors

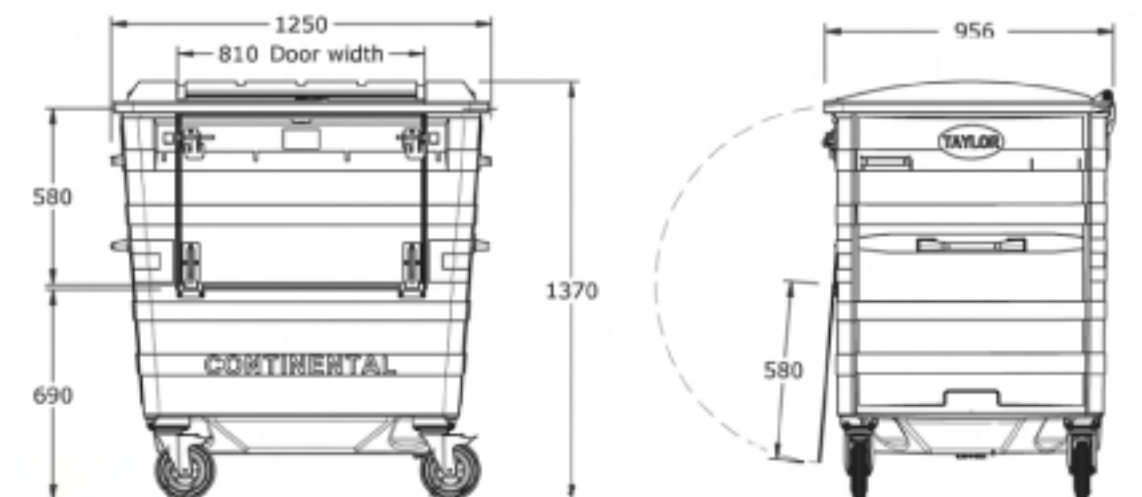
Towing (optional extra)

- Drop panel for ease of loading/unloading bagged or bulky waste
- Draw-depth and shape of pressings optimised to avoid buckling/distortion of bin on impact or lifting when laden.
- Sump base for improved rigidity and stability with drain plug as standard

## Technical Drawing

Empty Weight  
110KG

n.b. container can  
not be comb lifted



the name  
for innovation.



INVESTOR IN PEOPLE

talk to us  
01299 251 333

e-mail us  
custserv@taylorbins.co.uk

online  
www.taylorbins.co.uk

All dimensions are shown in mm and are for information purposes only.

Taylor, Continental, Chamberlain, Hock, Taylor Street are trademarks. Taylor record, register and enforce their intellectual property rights. Taylor maintains a policy of continuous research and development, specifications are subject to alteration without notice.

Issued October 2010