

Continental™



770L

The Continental™ 770 litre offers the perfect medium sized solution for your waste containment needs in compact footprint where access may be an issue and space is limited.



Part of

Egbert Taylor

Continental™ 770L

Fully EN840 tested and built to our demanding standards, the Continental™ 770 waste container offers a tried and tested solution and with a range of bespoke colours and logos can be customised to your requirements.

The 770 is also available as a towing container making it perfect for multi site collection points where manoeuvrability is essential.



Features

Featured as standard on all Continental™ 770's:

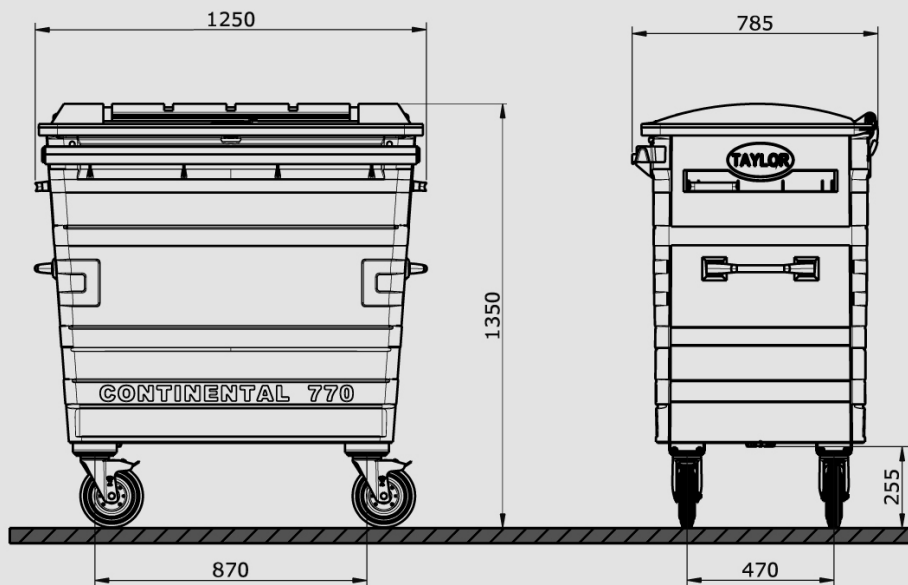
- EN840 compliant
- Internally seam welded
- Hot dip galvanised body
- Welded comb bar
- 20mm top frame
- 2 x swivel castors & 2 x braked castors
- Robust steel hinge
- Facility for ID chip
- Narrow frame bin

Options

- DIN points
- Custom embossing
- Central locking castors
- Drop front / drop back panel
- External fork pockets
- 200mm or 160mm castors
- Tag safe
- Towing capabilities
- Drain plug options
- Powder coated body colour options
- Locking options
- Security solutions
- Sound deadening
- Central locking
- Bespoke vinyl graphics

Technical Details

Height:	1350mm	Capacity:	770 litres
Width:	1250mm	Empty Weight:	90kg
Depth:	785mm	Castors:	200mm



Continental™ 770L Datasheet / UK EN

Talk to us

+44 (0)1299 251 333

Email us

info@egberttaylor.com

Visit us online

www.egberttaylor.com

Egbert H. Taylor & Co Ltd, Oak Park, Ryelands Lane, Elmley Lovett, Droitwich, Worcestershire, WR9 0QZ, UK

Egbert H. Taylor & Co Ltd is a limited company registered in England and Wales. No. 00718441. Registered Office as above.