

MGB Plastics

120L Wheelie Bin

Part of MGB's wheeled bin package. All fully manufactured & tested in the UK to the strictest standards.



Part of

Egbert Taylor
Middle East

MGB Plastics 120L

The MGB 120L wheeled bin can be found in its millions on doorsteps throughout the country, from Lands End to John O'Groats! The MGB 120L wheeled bin is modern, robust & fully customisable. Fully manufactured in the UK on our state of the art equipment. It can be fully customised to the customers colour & marking requirements & MGB represent exceptional customer service along with class leading value for money.



Features

- Strengthened front comb bar to ensure exact locking on lifting equipment
- Solid rubber tyres with steelspring loaded locking pins
- Rounded corners and smooth, easy to clean internal surfaces
- EN840 approved
- Large print area on body and lid for customer logo and/or information
- Corrosion resistant axle
- Compatible with standard lifting equipment

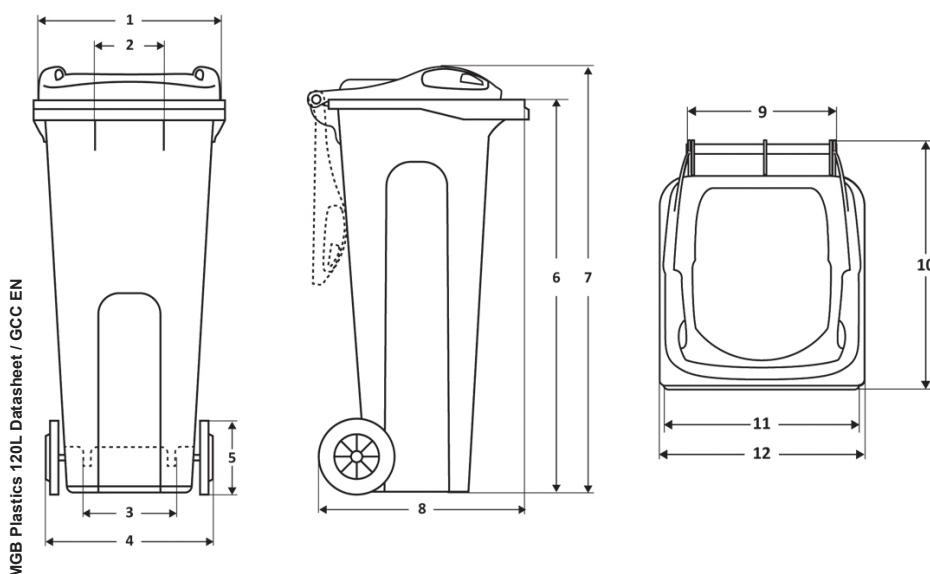
Options

- Colour (to client specification)
- Embossed logos
- RFID tagging
- Labelling & recycling information
- Lids are adaptable for promotions
- Tactile bins compliant with the RNIB
- Venting

Also available as 140L, 180L, & 240L

Technical Details

Height:	940mm	Capacity:	120 Litres
Width:	480mm	Empty Weight:	9kg
Depth:	553mm	Wheel Diameter:	200mm



Position	Dimension (mm)
1	444
2	180
3	268
4	475
5	200
6	1005
7	1076
8	495
9	367
10	553
11	482
12	482

Talk to us
+44 (0)4 3791711

Email us
info@egberttaylor.ae

Visit us online
www.egberttaylor.ae