

# MGB Plastics

## 140L Wheelie Bin

Part of MGB's wheeled bin package. All fully manufactured & tested in the UK to the strictest standards.



Part of

**Egbert Taylor**  
Middle East

# MGB Plastics 140L

The MGB 140L wheeled bin can be found in its millions on doorsteps throughout the country, from Lands End to John O'Groats! The MGB 140L wheeled bin is modern, robust & fully customisable. Fully manufactured in the UK on our state of the art equipment. It can be fully customised to the customers colour & marking requirements & MGB represent exceptional customer service along with class leading value for money.



## Features

- Strengthened front comb to ensure exact locking on lifting equipment
- Solid rubber tyres with steelspring loaded locking pins
- Rounded corners and smooth, easy to clean internal surfaces
- EN840 approved
- Large print area on body and lid for customer logo and/or information
- Corrosion resistant axle
- Compatible with standard lifting equipment

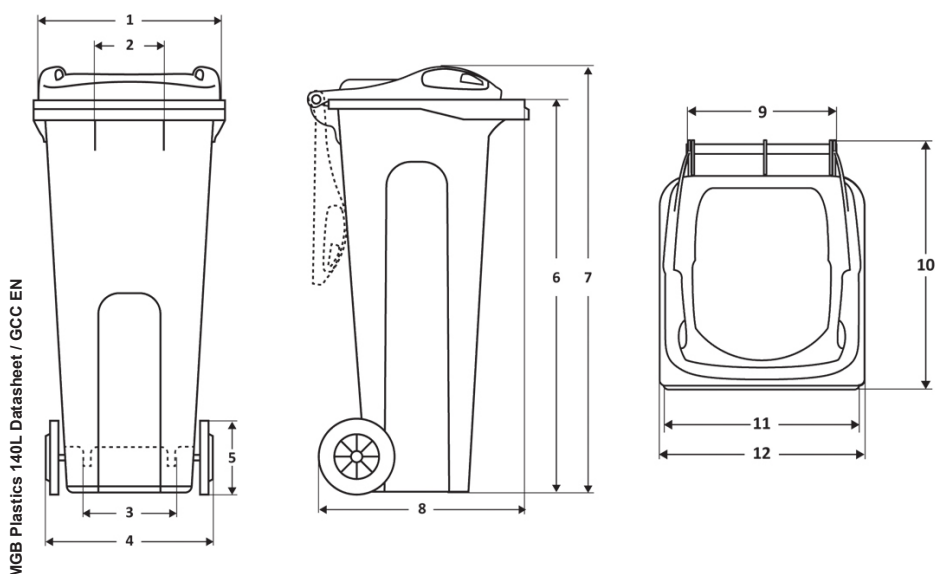
## Options

- Colour (to client specification)
- Embossed logos
- RFID tagging
- Labelling & recycling information
- Lids are adaptable for promotions
- Tactile bins compliant with the RNIB
- Venting

Also available as 120L, 180L and 240L

## Technical Details

Height:	1065mm	Capacity:	140 Litres
Width:	475mm	Empty Weight:	6.15kg
Depth:	553mm	Wheel Diameter:	200mm



Position	Dimension (mm)
1	444
2	180
3	268
4	475
5	200
6	1005
7	1076
8	495
9	367
10	553
11	482
12	482

**Talk to us**  
+44 (0)4 3791711

**Email us**  
info@egberttaylor.ae

**Visit us online**  
www.egberttaylor.ae