



# Plastic Bin

## 660L with Din Points

The EN840 approved Taylor Plastic 4 Wheeled Bin is a cost-effective solution to waste management & collections. The 660 litre offers a deceptively large capacity in a small footprint.



Part of

**Egbert Taylor**

# Plastic Bin 660L with Din

The Taylor 660 Plastic Bin is designed with affordability in mind and is ideal for collecting recyclable materials and residual wastes.

These bins are versatile and are used around the world for waste and refuse collection. The Taylor Plastic Bin is made from frost-proof, UV stabilised HDPE and the tough construction is EN840 approved.

It is also available with a Foot Operated Lid as well as a variety of colours and other options.



## Features

Featured as standard on all Plastic Bin 660's:

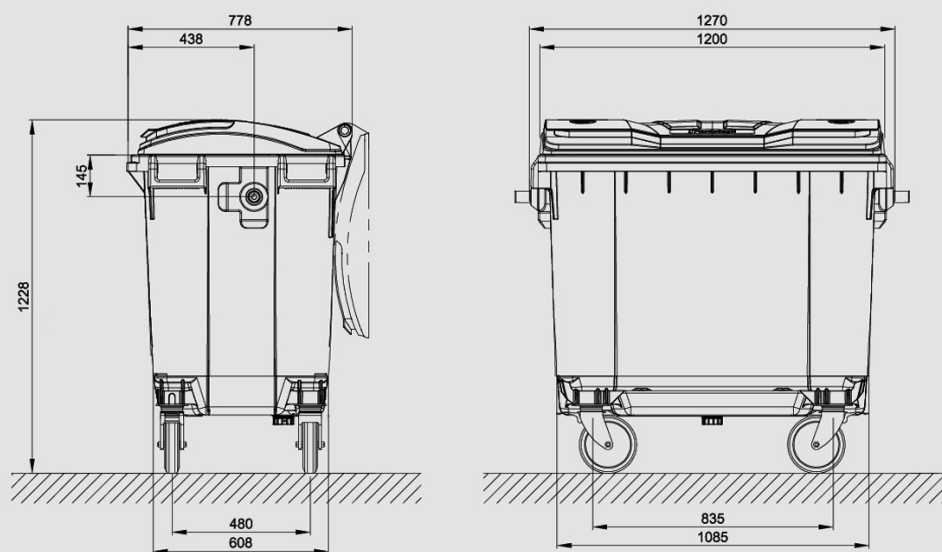
- EN840 Compliant
- Reinforced Comb Bar (Honey Comb Structure)
- HDPE, UV Stabilized material
- 200mm Plastic centred castors with rubber wheels
- Smooth, easy to clean internal surfaces
- Large print area on body and lid for customer logos
- Additional Reinforcement on all walls
- Lid with lip handle
- Drain plug

## Options

- Recycling Lid Inserts for PET, Paper, Packaging and Glass
- Foot-operated lid opening
- Lid Locking system
- Hot stamping (embossing)
- Various body colours available
- No DIN points

## Technical Details

Height:	1228mm	Capacity:	660 litres
Width:	1270mm	Empty Weight:	40kg
Depth:	778mm	Castors:	200mm



Plastic Bin 660L D Datasheet / UK EN

### Talk to us

+44 (0)1299 251 333

### Email us

info@egberttaylor.com

### Visit us online

www.egberttaylor.com

**Egbert H. Taylor & Co Ltd**, Oak Park, Ryelands Lane, Elmley Lovett, Droitwich, Worcestershire, WR9 0QZ, UK

Egbert H. Taylor & Co Ltd is a limited company registered in England and Wales. No. 00718441. Registered Office as above.