



# Global

## 1700L

Compatible with domestic and international Refuse Collection Vehicles, this EN840 compliant metal body galvanised waste container offers both mobility and high capacity.



Part of  
**Egbert Taylor**

# Global 1700L

Compliant with EN840, giving customers confidence in both product quality and safety, the Taylor Global 1700 bin features all the key aspects and benefits of our standard waste container range whilst offering increased capacity and versatility.

The Global 1700 is compatible with widely used international refuse collection vehicles designed to handle and empty four wheeled waste containers conforming to EN840 - either by comb bar or DIN point lifting - bringing much needed flexibility to your bin fleets and a bespoke solution for all of your waste management needs.



Available in a wide variety of colours, the smooth swage free frontage allows the application of full sized logos, decals and vinyl wraps which help communicate your desired message to employees and/or members of the public.

## Technical Details

Capacity:	1700 litre	Max. Working Load:	440kg
Front Thickness:	2.0mm	Empty Weight:	150kg
Rear Thickness:	1.5mm	Hinge Bar Dia.:	20mm
Side Thickness:	1.5mm	Castors:	200mm
Base Thickness:	1.5mm	Top Frame:	50x30x3mm

## Features

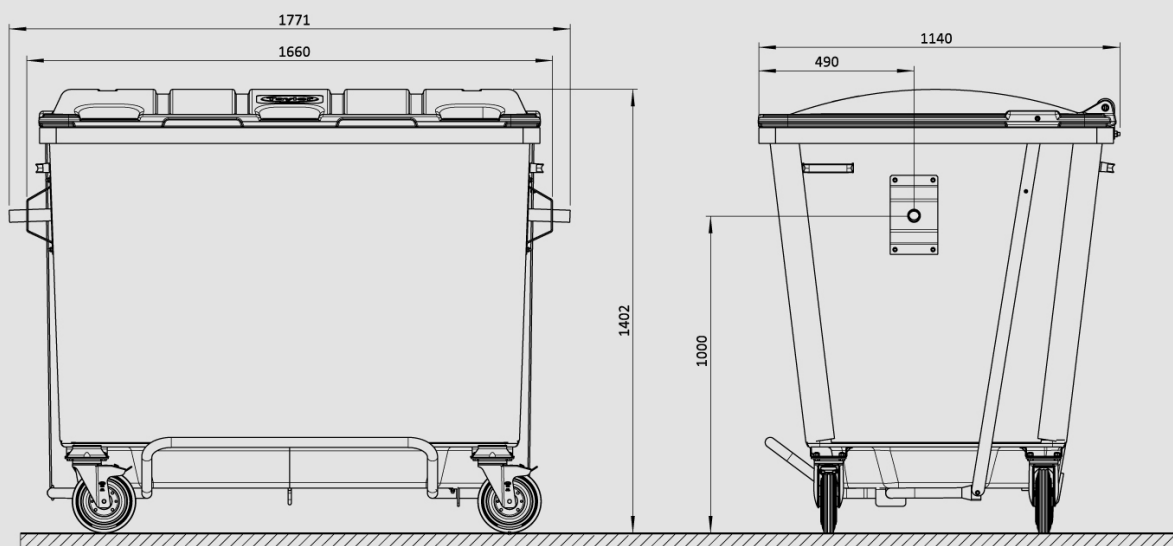
Featured as standard on all Global 1700's:

- Hot dip galvanised body
- Internally seam welded
- Welded comb bar
- EN840 compliance
- Side handles
- Roto moulded lid
- 2x swivel castors and 2x braked swivel castors

## Options

Increasing the versatility of your container:

- Bolted DIN points
- Side loading DIN points
- Hands free foot operation
- Powder coated body colour options
- Lid colour variety
- Lock and security options
- Bespoke vinyl graphics
- Drain plug varieties



Global 1700L Datasheet / UK EN

### Talk to us

+44 (0)1299 251 333

### Email us

info@egberttaylor.com

### Visit us online

www.egberttaylor.com

**Egbert H. Taylor & Co Ltd**, Oak Park, Ryelands Lane, Elmley Lovett, Droitwich, Worcestershire, WR9 0QZ, UK

Egbert H. Taylor & Co Ltd is a limited company registered in England and Wales. No. 00718441. Registered Office as above.