

Continental™

1100L



With over 1.3 million units sold, and in use by UK local authorities, the Continental™ 1100 litre is the undisputed benchmark for waste and recycling containers.



Part of

Egbert Taylor

Continental™ 1100L

Stylish and easy to use, this four wheeled bin can be configured to your most exacting requirements, on even the most demanding collection rounds. No wonder its the winner of a World Industrial Design Award.

With full EN840 certification the Continental™ 1100 will give you exceptional lifetime value with limited downtime, unlike plastic and other alternative steel commercial trade bins.

Quality manufacture means Continental™ bins keep working, even under the toughest conditions.



Internally welded seams stop water penetration, preventing the corrosion that plagues less well made metal waste containers.

From DIN to Danish Handles, to Lid Locks and corporate livery, the Continental™ 1100 is the most adaptable commercial waste bin around.

Technical Details

Height:	1355mm	Capacity:	1100 litres
Width:	1250mm	Empty Weight:	96kg
Depth:	980mm	Castors:	200mm

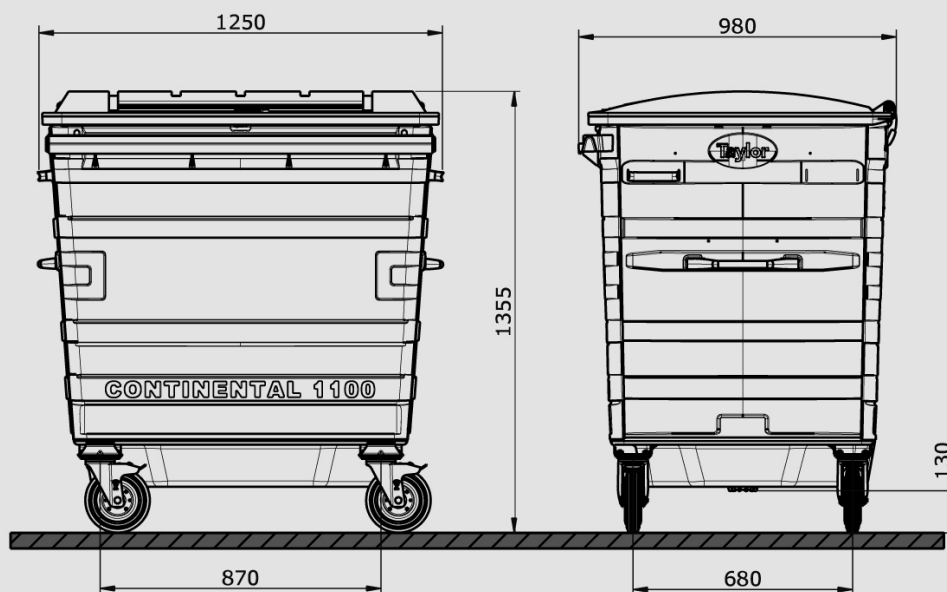
Features

Featured as standard on all Continental™ 1100's:

- EN840 compliant
- Internally seam welded
- Hot dip galvanised body
- Welded comb bar
- Side handles
- 20mm top frame
- 2 x swivel castors & 2 x braked castors
- Roto moulded lid

Options

- DIN points
- Custom embossing
- Drop front/drop back panel
- External/internal fork pockets
- Tag safe
- Towing capabilities
- Drain plug options
- Different handle options
- Different lid types & apertures
- Variety of lid colours
- Powder coated body colour options
- Locking options
- Security solutions
- Sound deadening
- Central locking
- Duo bin option
- Cage sides
- UN Certified



Continental™ 1100L Datasheet / UK EN

Talk to us

+44 (0)1299 251 333

Email us

info@egberttaylor.com

Visit us online

www.egberttaylor.com

Egbert H. Taylor & Co Ltd, Oak Park, Ryelands Lane, Elmley Lovett, Droitwich, Worcestershire, WR9 0QZ, UK

Egbert H. Taylor & Co Ltd is a limited company registered in England and Wales. No. 00718441. Registered Office as above.